

Product availability: Stock - Normally stocked in distribution facility



Main

Range of product	Modicon M580
Product or component type	Redundant processor module

Complementary

Number of racks	1
Application specific I/O	Counter SSI encoder Serial link HART Accurate time stamping Motion control
Checks	Process control
Control channels	Programmable loops
Integrated connection type	1 Ethernet TCP/IP for service port 2 Ethernet TCP/IP for device network USB type mini B 1 Ethernet for HSBY port
Number of remote I/O station	31 - 2 X80 and Quantum drops
Number of distributed equipment	64
Communication module processor capacity	6 Ethernet communication module 24 AS-Interface module
Communication service	DIO scanner RIO scanner
Memory description	Expandable flash, 4 GB for data storage Integrated RAM, 10 kB for system memory Integrated RAM, 64 MB program and data Integrated RAM, 4096 kB HSBY data
Application structure	1 cyclic/periodic master task 1 periodic fast task
Number of instructions per ms	40 Kinst/ms 100 % Boolean 60 Kinst/ms 65 % Boolean + 35 % fixed arithmetic
Current consumption	295 mA at 24 V DC
MTBF reliability	600000 H
Marking	CE

Environment

Vibration resistance	3 gn
Shock resistance	30 gn
Ambient air temperature for operation	32...140 °F (0...60 °C)
Ambient air temperature for storage	-40...185 °F (-40...85 °C)
Operating altitude	0...2000 m 2000...5000 m with derating factor
Relative humidity	5...95 % 131 °F (55 °C) without condensation
IP degree of protection	IP20
Directives	2014/35/EU - low voltage directive 2014/30/EU - electromagnetic compatibility
Product certifications	CE UL CSA RCM EAC Merchant Navy
Standards	EN 61131-2 EN/IEC 61010-2-201 UL 61010-2-201 CSA C22.2 No 61010-2-201 IACS E10 EN/IEC 61000-6-5, interface type 1 and type 2 EN/IEC 61850-3, location G
Environmental characteristic	Hazardous location class I division 2
Supply	Internal power supply via rack
Status LED	1 LED (green)processor running (RUN) 1 LED (red)processor or system fault (ERR) 1 LED (red)I/O module fault (I/O) 1 LED (green)download in progress (DL) 1 LED (red)memory card or CPU flash fault (BACKUP) 1 LED (green/red)ETH MS (Ethernet port configuration status) 1 LED (green/red)Eth NS (Ethernet network status) 1 LED (green)peer processor running (REMOTE RUN) 1 LED (green)processor ID set to A (A) 1 LED (green)processor ID set to B (B) 1 LED (green)processor acting as Primary (PRIM) 1 LED (green)processor acting as Standby (STBY) I/O values overridden by user (FORCED IO) 1 LED Green) 1 LED (green)Hot standby link status (Hsby Diag)
Net weight	1.87 Lb(US) (0.849 kg)

Ordering and shipping details

Category	18161 - MODICON M580 CONTROLLERS HSBY
Discount Schedule	PC34
GTIN	03606485440019
Nbr. of units in pkg.	1
Package weight(Lbs)	31.75 Oz (900 g)
Returnability	Yes
Country of origin	FR

Packing Units

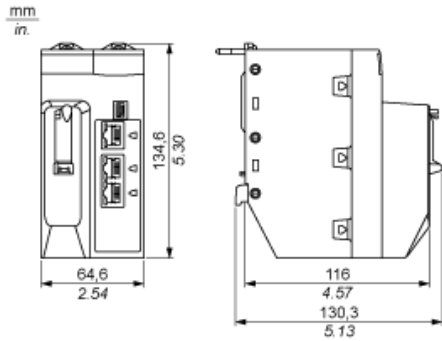
Unit Type of Package 1	PCE
Package 1 Height	3.54 In (9 cm)
Package 1 width	6.89 In (17.5 cm)
Package 1 Length	9.84 In (25 cm)
Unit Type of Package 2	S03
Number of Units in Package 2	6
Package 2 Weight	11.90 Lb(US) (5.4 kg)

Package 2 Height	11.81 In (30 cm)
Package 2 width	11.81 In (30 cm)
Package 2 Length	15.75 In (40 cm)

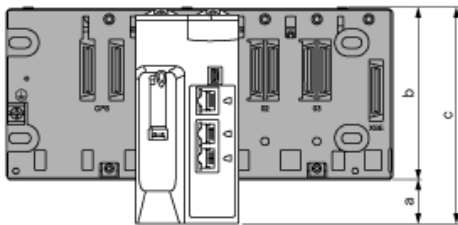
Offer Sustainability

Sustainable offer status	Green Premium product
California proposition 65	WARNING: This product can expose you to chemicals including: Lead and lead compounds, which is known to the State of California to cause cancer and birth defects or other reproductive harm. For more information go to www.P65Warnings.ca.gov
REACH Regulation	REACH Declaration
EU RoHS Directive	Pro-active compliance (Product out of EU RoHS legal scope) EU RoHS Declaration
Mercury free	Yes
RoHS exemption information	Yes
China RoHS Regulation	China RoHS Declaration
Circularity Profile	End Of Life Information
WEEE	The product must be disposed on European Union markets following specific waste collection and never end up in rubbish bins.

CPU Module Only

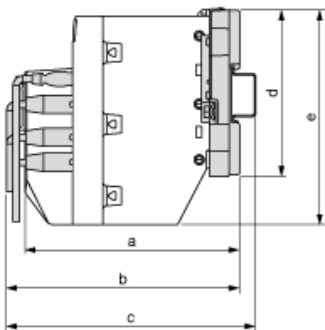


Modules Mounted on Racks



- a: additional space below the rack to accommodate the height of the CPU. For an X Bus rack, the value is 30.9 mm (1.217 in.); for an Ethernet rack, the value is 30.9 mm (1.217 in.).
- b: the height of the rack. For an X Bus rack, the height is 103.7 mm (4.083 in.); for an Ethernet rack, the height is 105.11 mm (4.138 in.).
- c: the height of the main local rack, 134.6 mm (5.299 in.)

Modules and Cables Mounted in an Enclosure



- a: enclosure depth: 135 mm (5.315 in.)
- b: wiring + module depth: > 146 mm (5.748 in.)
- c: wiring + module + DIN rail depth: > 156 mm (6.142 in.)
- d: rack height: for an X Bus rack 103.7 mm (4.083 in.); for an Ethernet rack, 105.11 mm (4.138 in.)
- e: module height: 134.6 mm (5.299 in.)

Product Life Status : **Commercialised**